



**SATBSFU271/C**  
**SATBSFU285/C**  
**SATBSFU222/C**  
**SATBSFU268/C**  
**SATBSFU210/C**  
**SATBSFU215/C**  
**SATBSFU101/C**



**SATBSFU271**



**SATBSFU271C**



**SATBSFU285**



**SATBSFU285C**



**SATBSFU101**



**SATBSFU101C**



**SATBSFU222**



**SATBSFU222C**



**SATBSFU268**



**SATBSFU268C**



**SATBSFU210**



**SATBSFU210C**



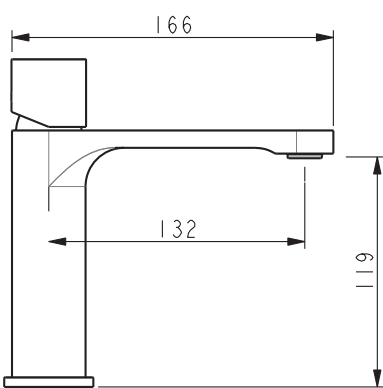
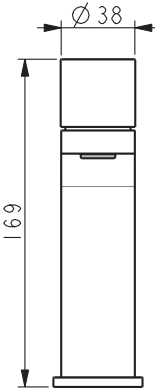
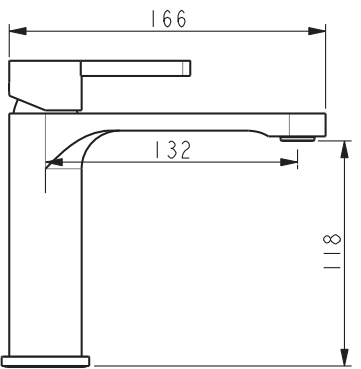
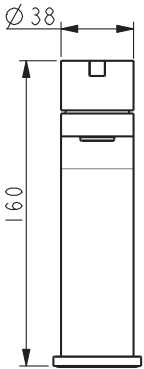
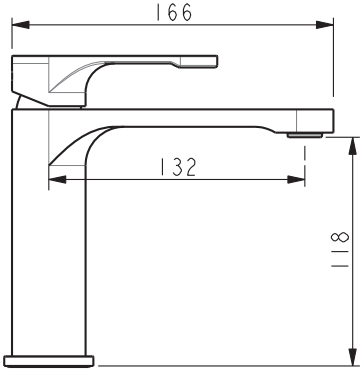
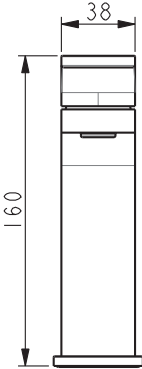
**SATBSFU215**



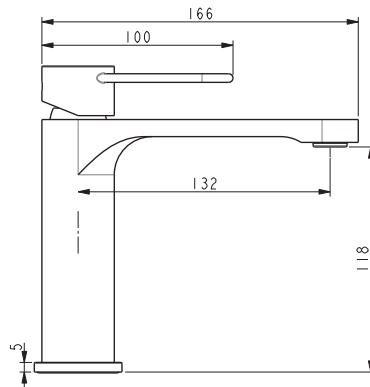
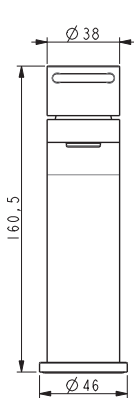
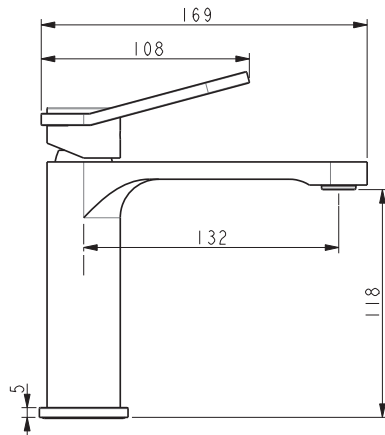
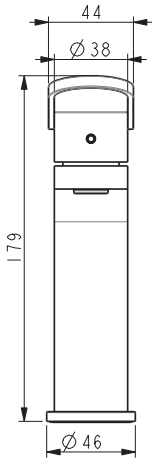
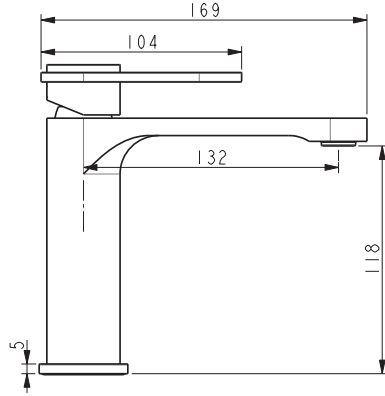
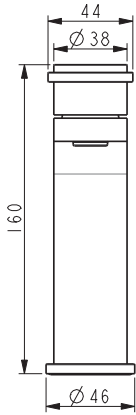
**SATBSFU215C**



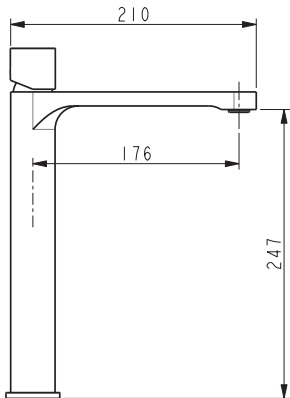
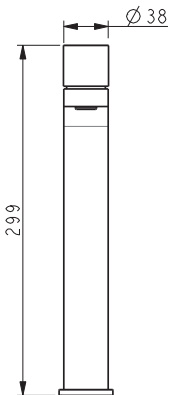
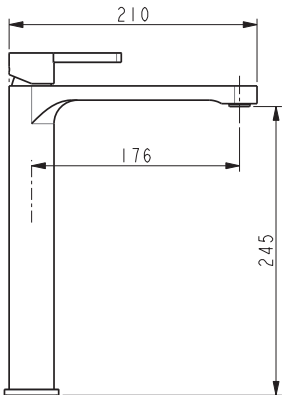
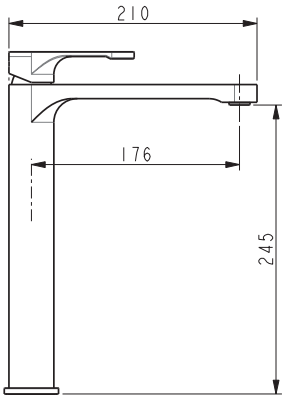
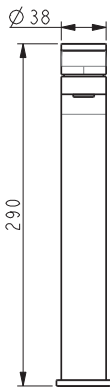
# SATBSFU271/SATBSFU271C



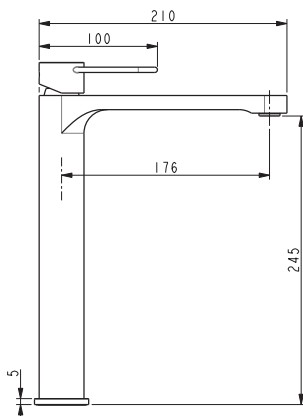
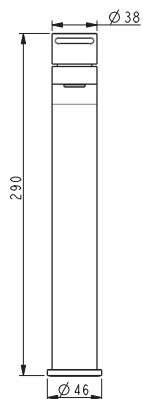
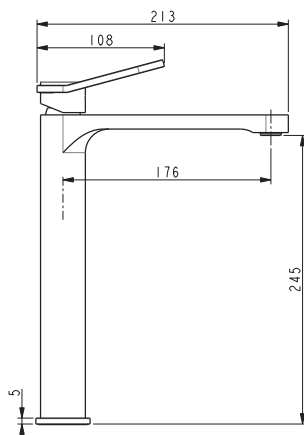
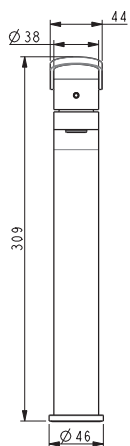
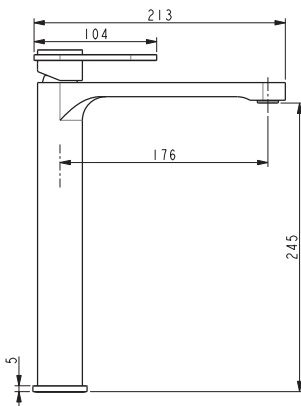
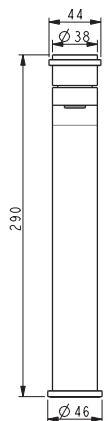
# SATBSFU271/SATBSFU271C



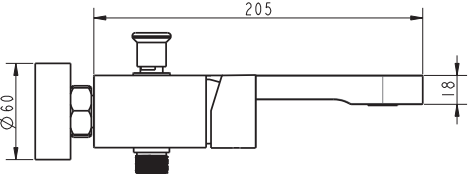
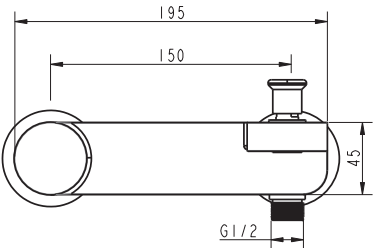
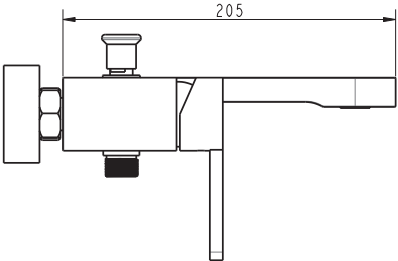
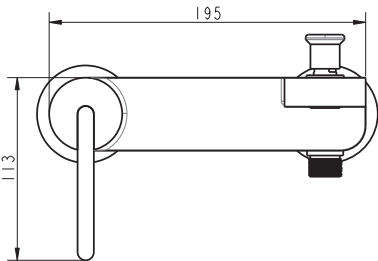
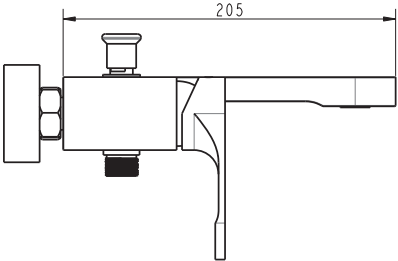
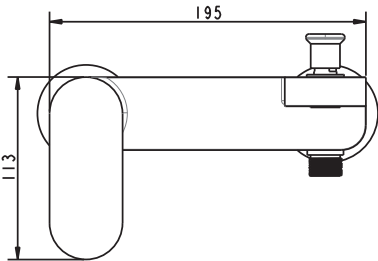
# SATBSFU285/SATBSFU285C



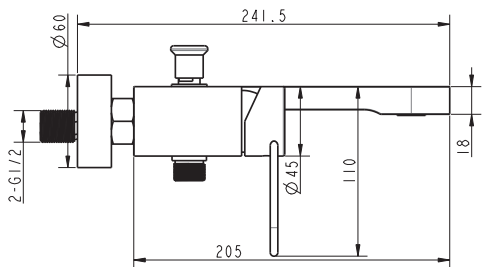
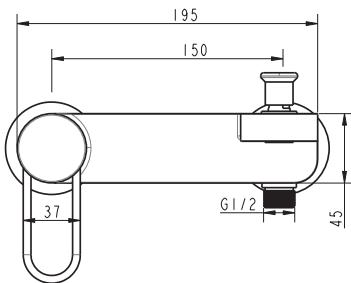
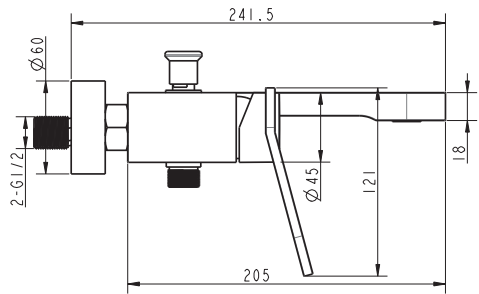
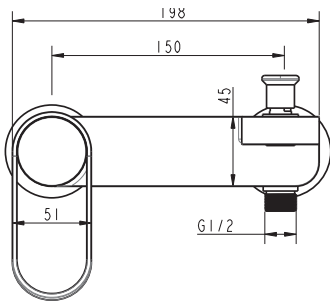
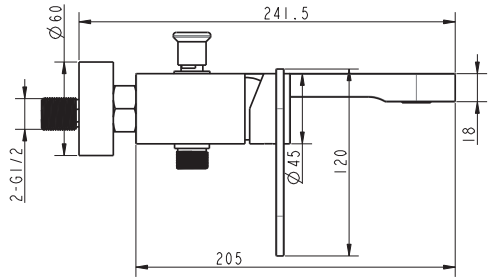
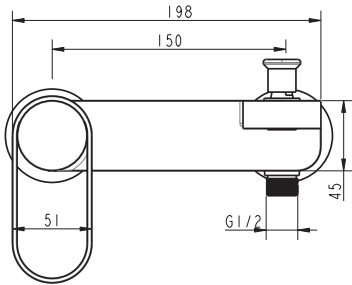
# SATBSFU285/SATBSFU285C



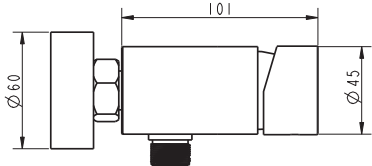
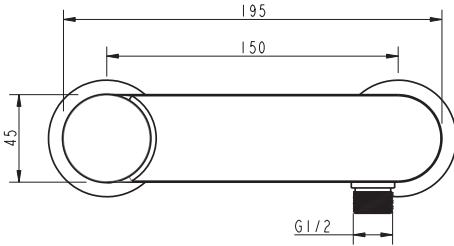
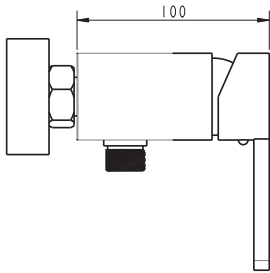
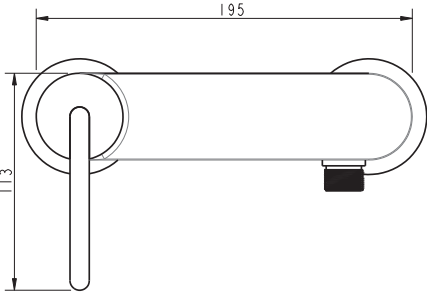
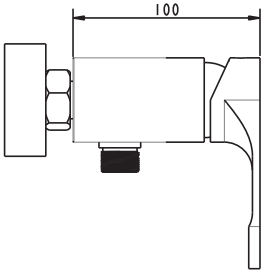
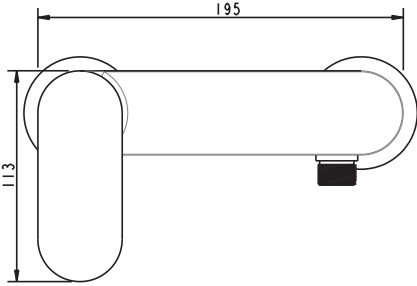
# SATBSFU222/SATBSFU222C



# SATBSFU222/ SATBSFU222C

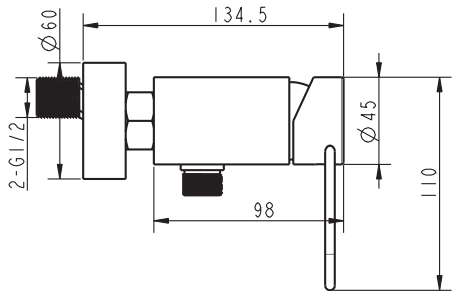
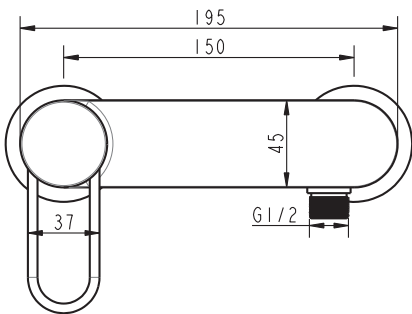
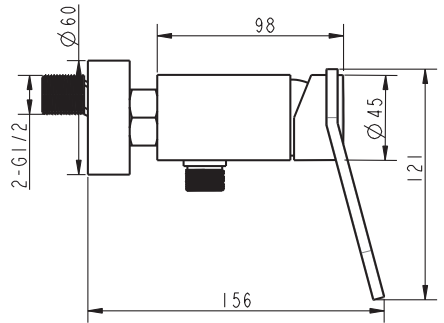
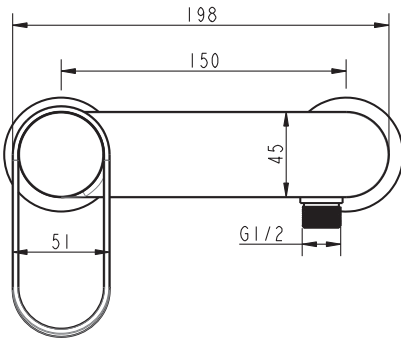
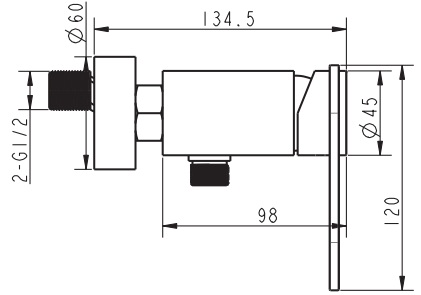
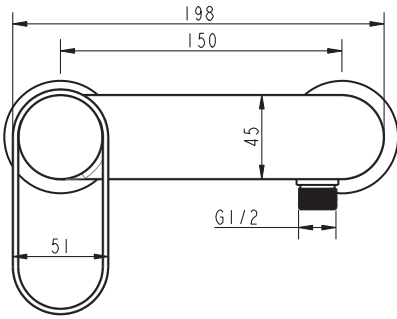


# SATBSFU268/ SATBSFU268C

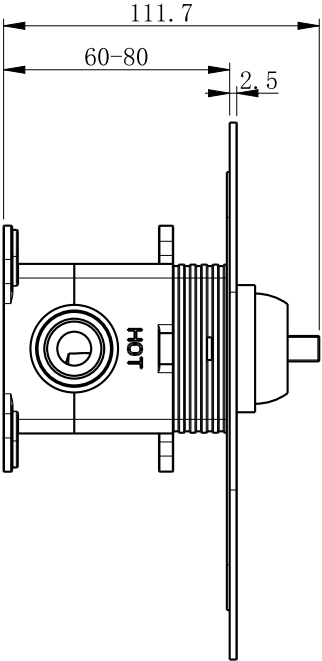
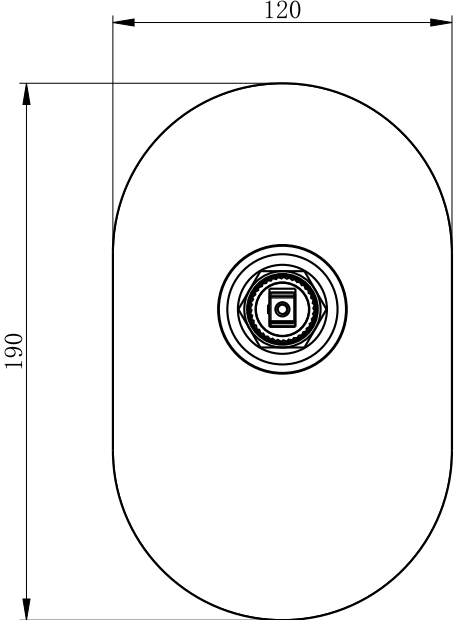




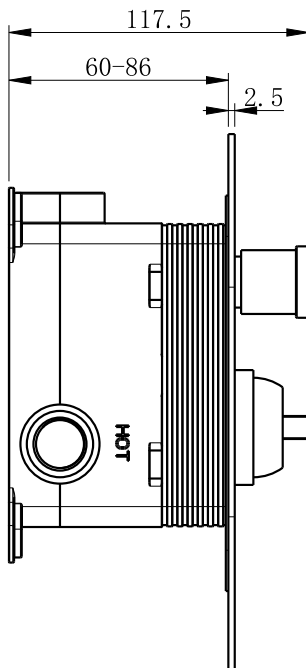
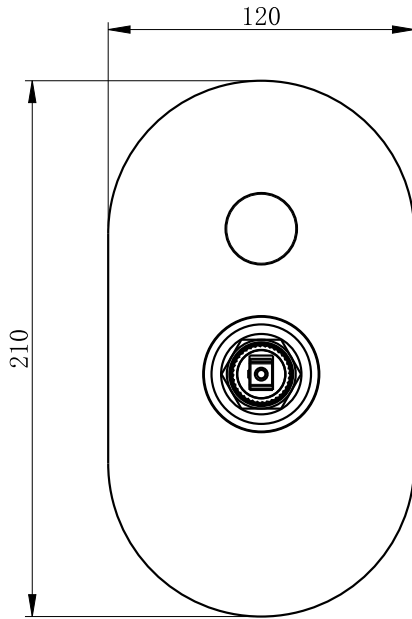
# SATBSFU268/ SATBSFU268C



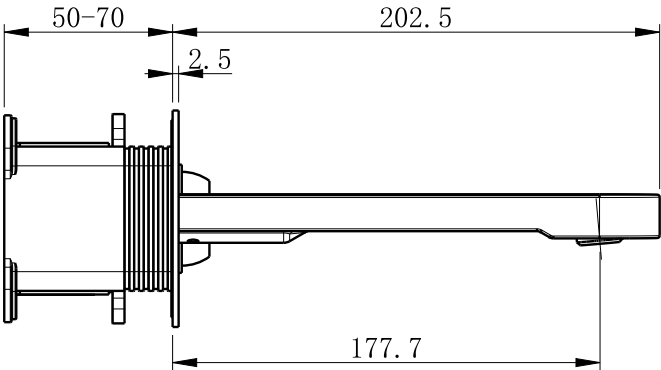
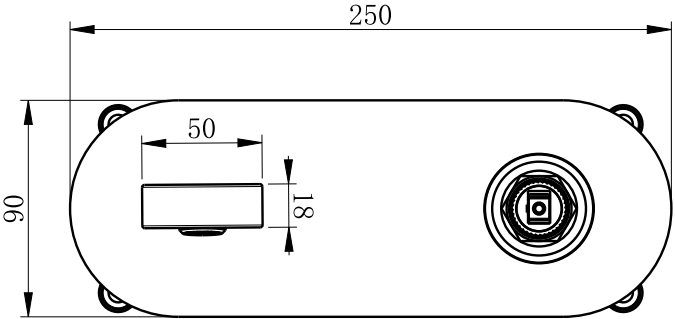
# SATBSFU210/SATBSFU210C



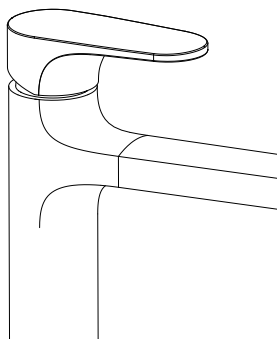
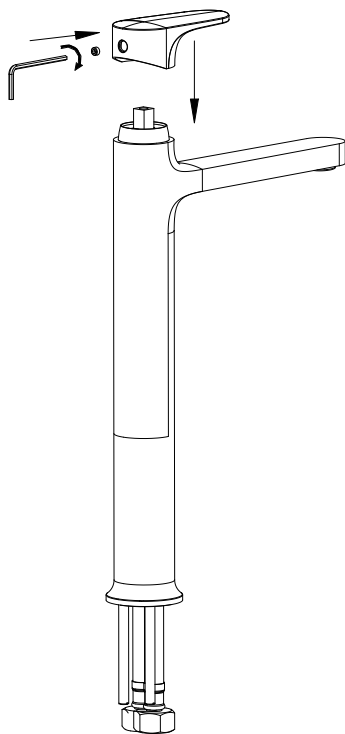
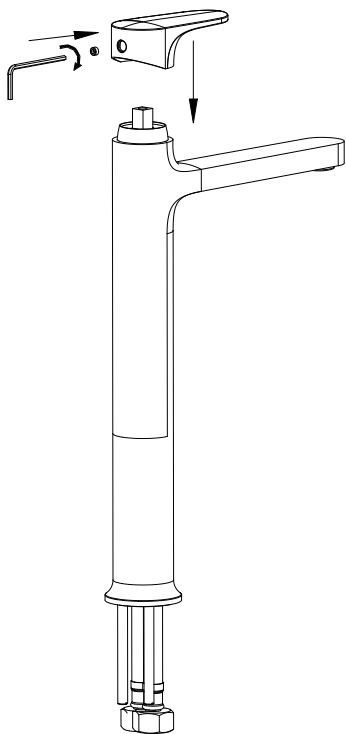
# SATBSFU215/SATBSFU215C



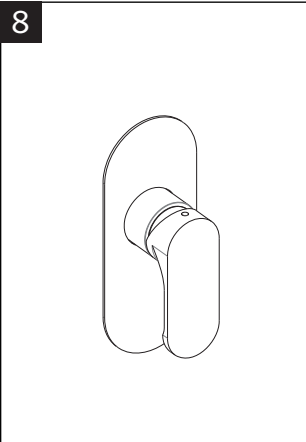
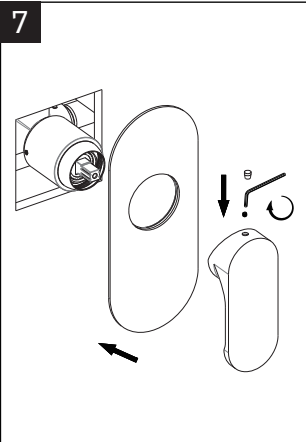
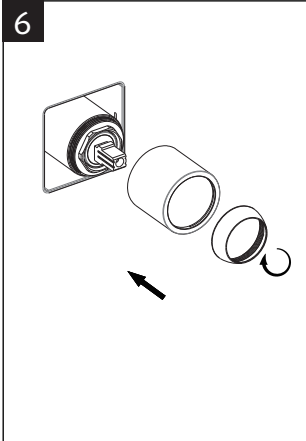
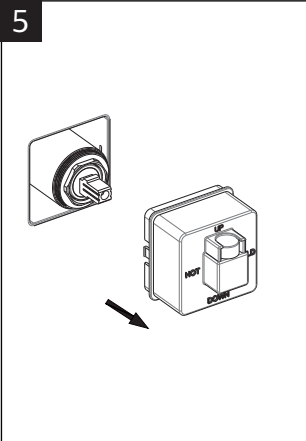
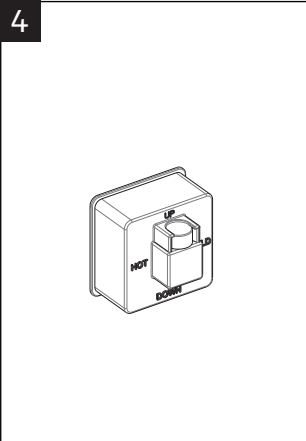
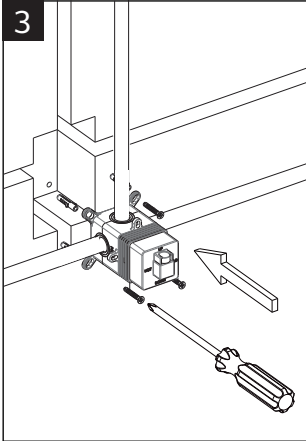
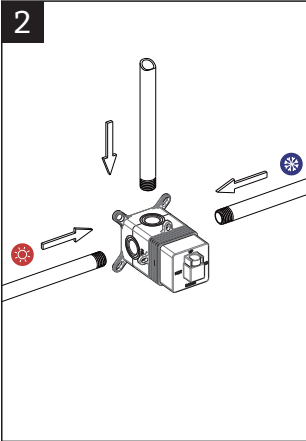
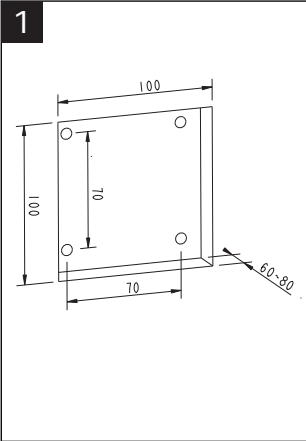
# SATBSFU101/SATBSFU101C



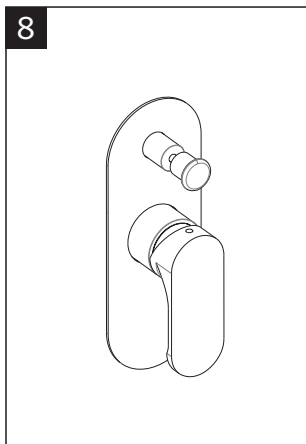
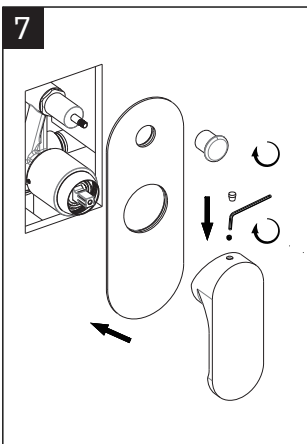
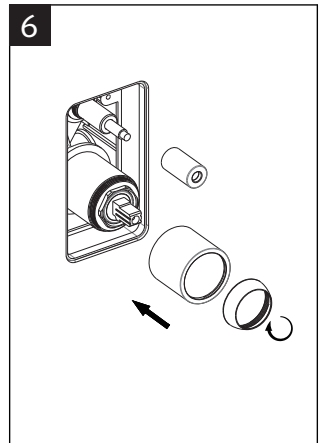
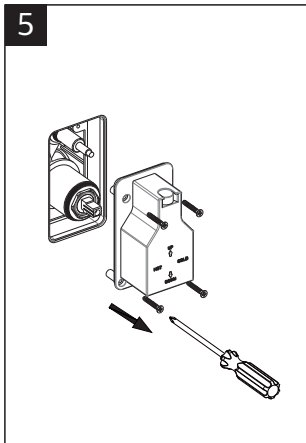
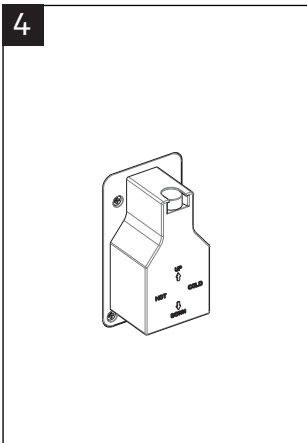
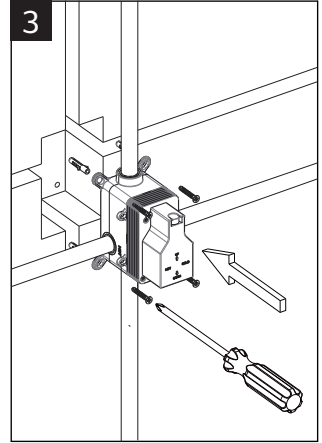
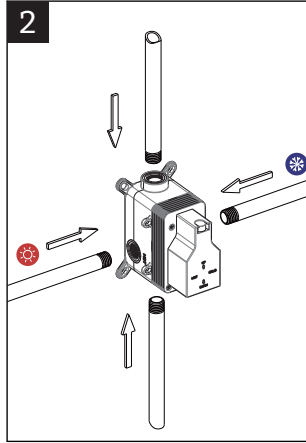
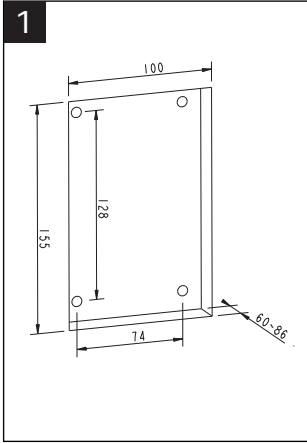
**SATBSFU222, SATBSFU268, SATBSFU271, SATBSFU285  
SATBSFU222C, SATBSFU268C, SATBSFU271C, SATBSFU285C**



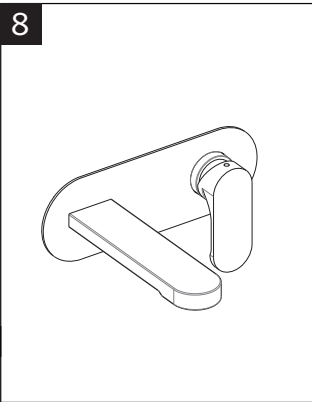
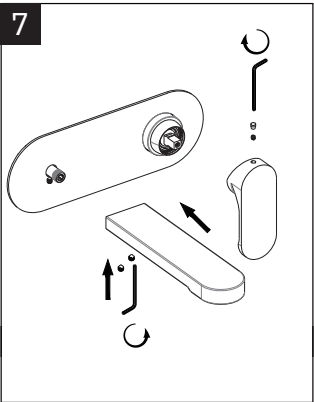
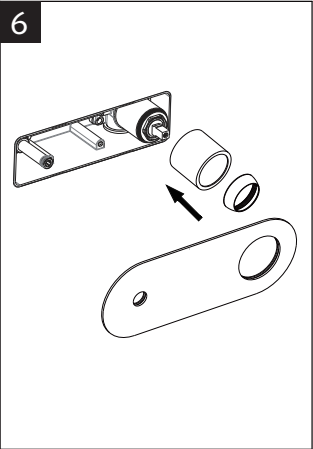
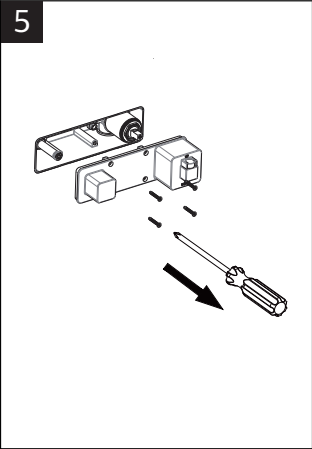
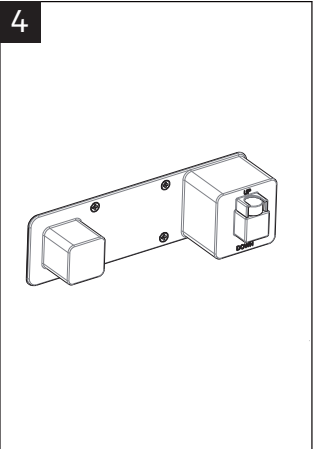
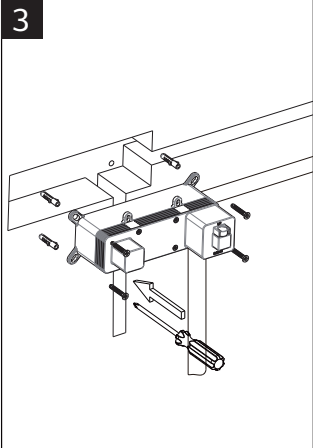
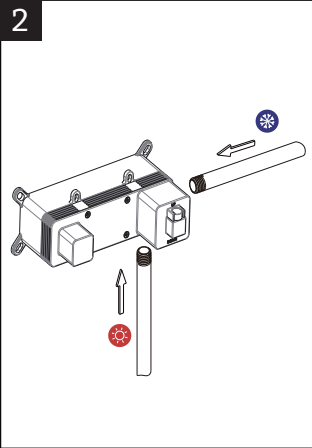
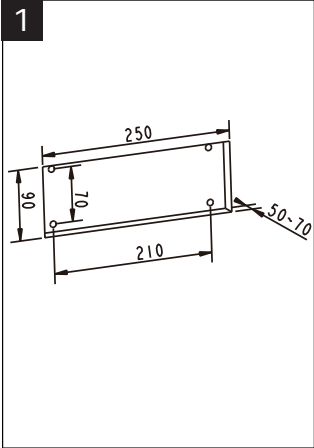
# SATBSFU210/SATBSFU210C



# SATBSFU215/SATBSFU215C

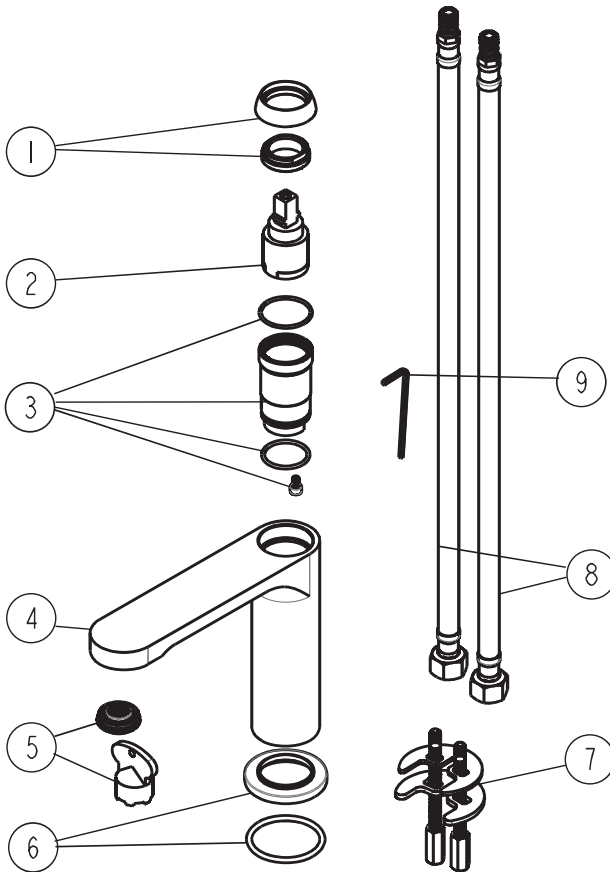


# SATBSFU101/SATBSFU101C





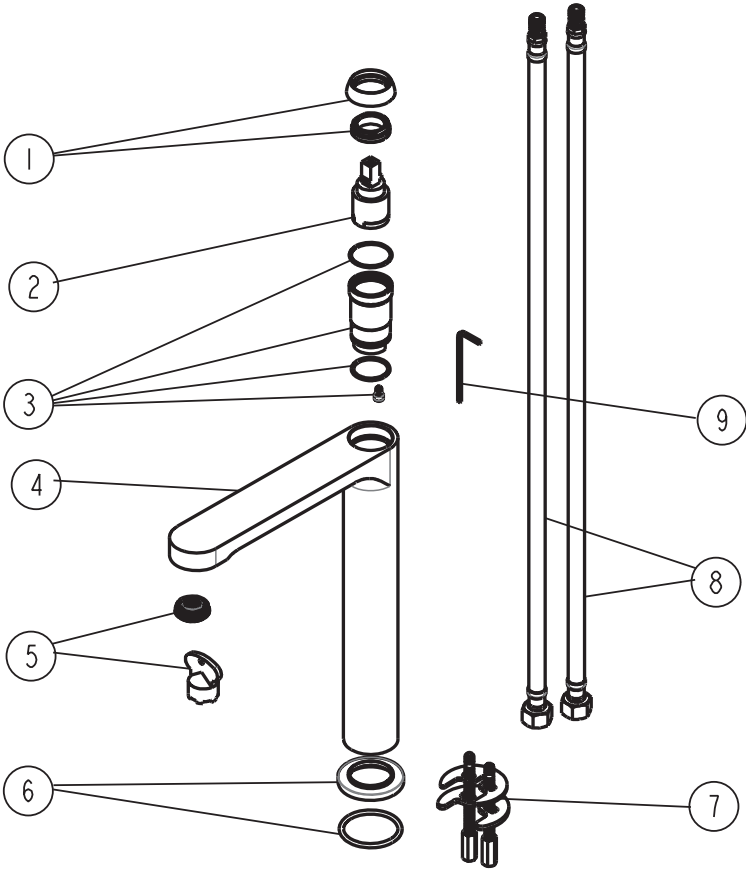
# SATBSFU271/SATBSFU271C



1	NDSIKOBSEL2
2	NDSIKOBSEL3
5	NDSIKOBSEL6
6	NDSATFU6
7	NDSATFU7

1	NDSIKOBSEL2C
2	NDSIKOBSEL3
5	NDSIKOBSEL6
6	NDSATFU6C
7	NDSATFU7

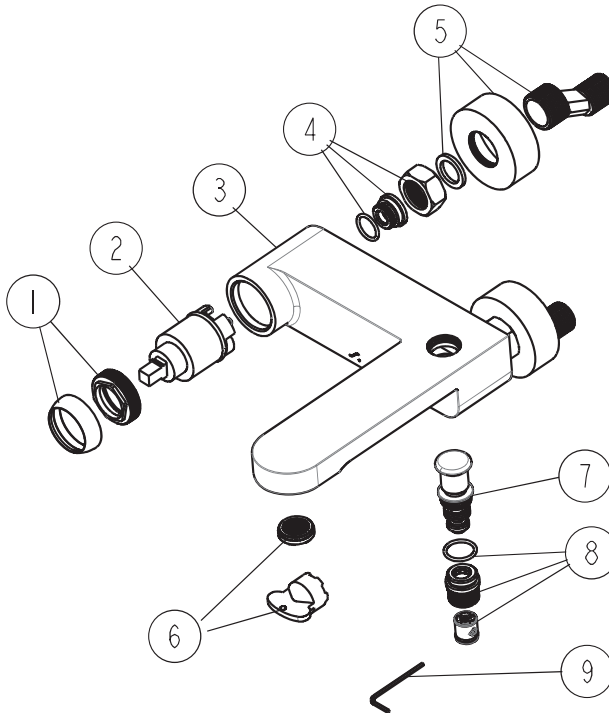
# SATBSFU285/SATBSFU285C



1	NDSIKOBSEL2
2	NDSIKOBSEL3
5	NDSIKOBSEL6
6	NDSATFU6
7	NDSATFU7

1	NDSIKOBSEL2C
2	NDSIKOBSEL3
5	NDSIKOBSEL6
6	NDSATFU6C
7	NDSATFU7

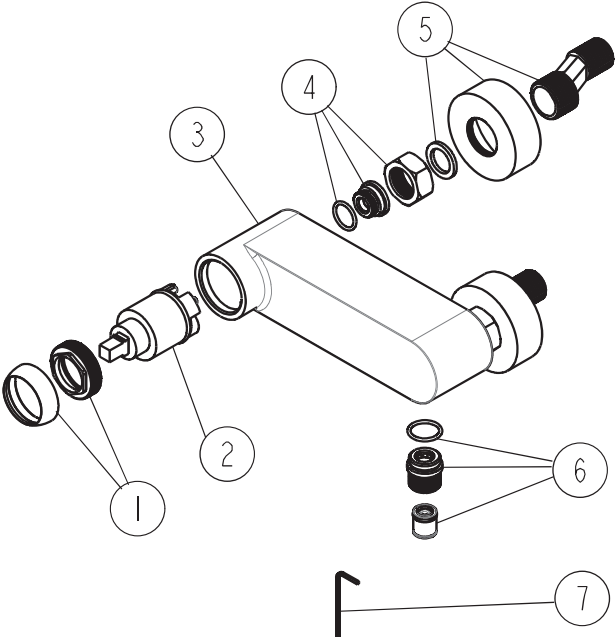
# SATBSFU222/SATBSFU222C



1	NDSIKOBSELNB2
2	NDSATFUNB2
4	NDSIKOBSELNB12
5	NDSATFUNB5
6	NDSIKOBSELNB10
7	NDSATFUNB7
8	NDSATFUNB8

1	NDSIKOBSELNB2C
2	NDSATFUNB2
4	NDSIKOBSELNB12C
5	NDSATFUNB5C
6	NDSIKOBSELNB10
7	NDSATFUNB7C
8	NDSATFUNB8C

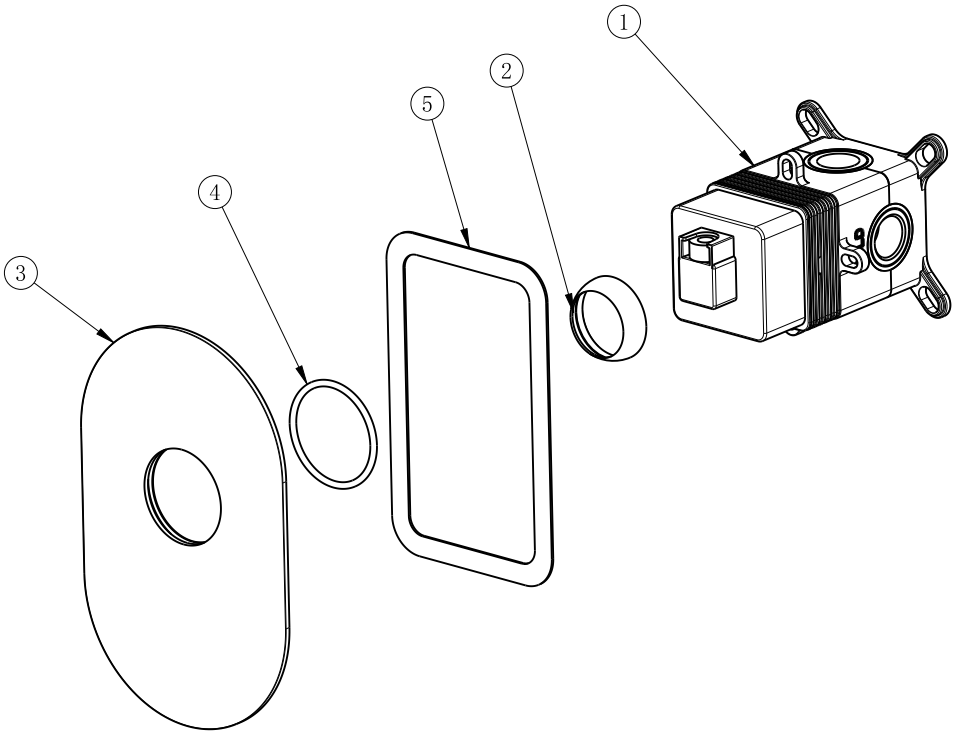
# SATBSFU268/SATBSFU268



1	NDSIKOBSELNB2
2	NDSATFUNB2
4	NDSIKOBSELNB12
5	NDSATFUNB5
6	NDSIKOBSELNB10

1	NDSIKOBSELNB2C
2	NDSATFUNB2
4	NDSIKOBSELNB12C
5	NDSATFUNB5C
6	NDSIKOBSELNB10C

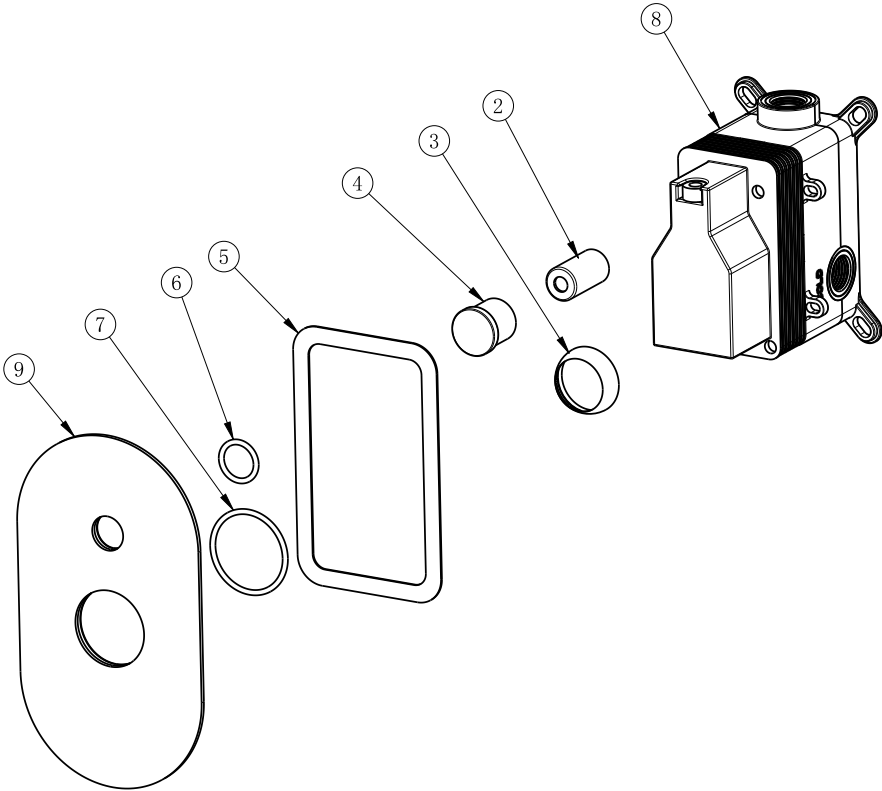
# SATBSFU210/SATBSFU210C



1	NDFU210BOX
2	NDFU2102
3-5	NDFU210ROZETA

1	NDFU210BOX
2	NDFU2102C
3-5	NDFU210ROZETAC

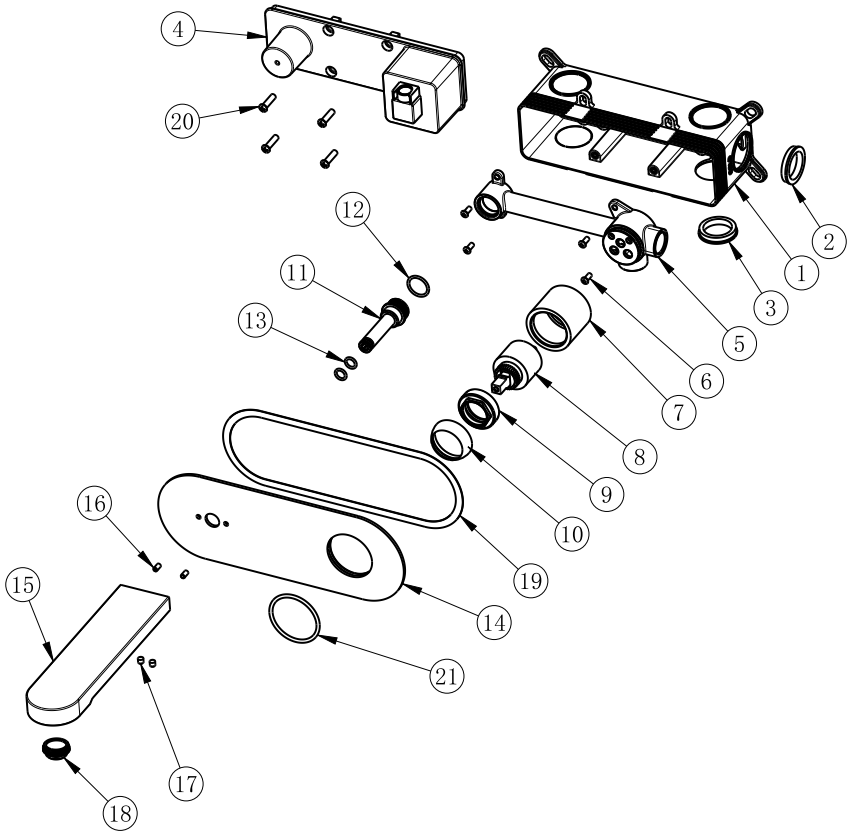
# SATBSFU215/SATBSFU215C



2, 4	NDFU2154
3	NDFU2153
5-7, 9	NDFU215ROZETA
8	NDFU215BOX

2, 4	NDFU2154C
3	NDFU2153C
5-7, 9	NDFU215ROZETAC
8	NDFU215BOX

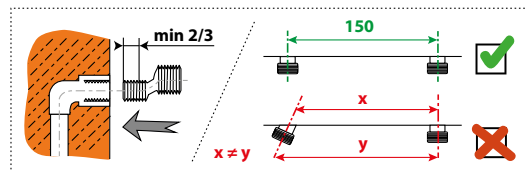
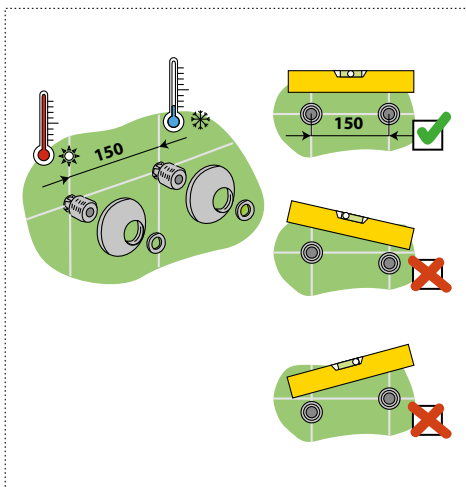
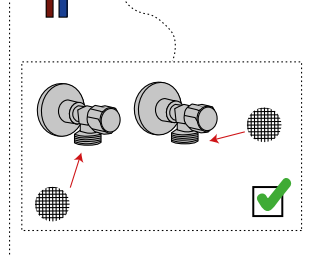
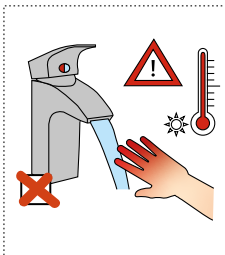
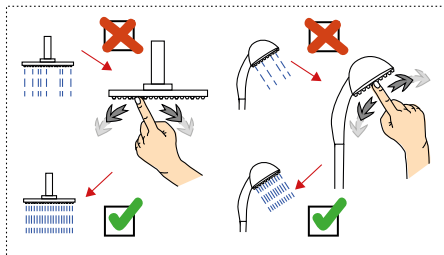
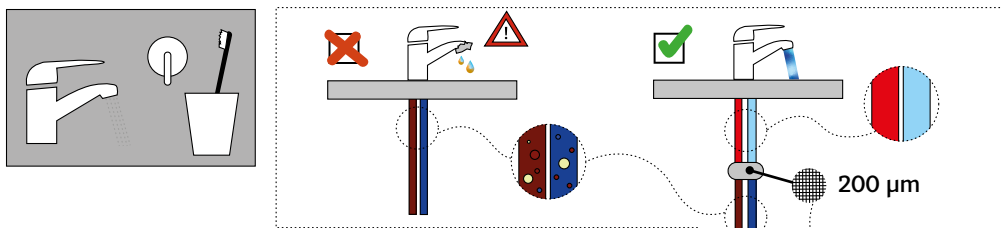
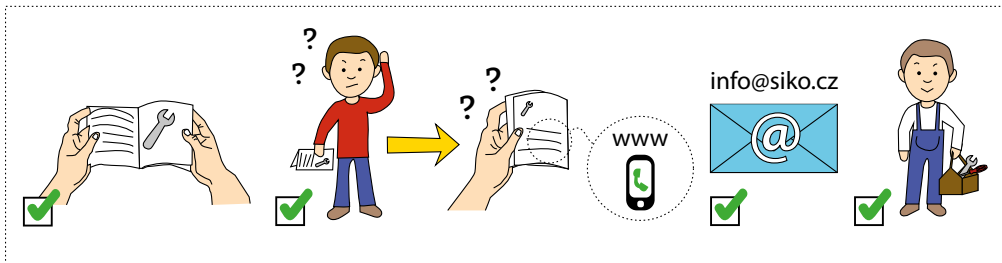
# SATBSFU101/SATBSFU101C



1-6	NDFU101BOX
7	NDFU1017
8	NDFU101KART
9	NDFU1019
10	NDFU10110
11-13	NDFU10111
14, 19, 21	NDFU10114
15-18	NDFU101RAM
18	NDFU101PERL

1-6	NDFU101BOX
7	NDFU1017C
8	NDFU101KART
9	NDFU1019
10	NDFU10110C
11-13	NDFU10111
14, 19, 21	NDFU10114C
15-18	NDFU101RAMC
18	NDFU101PERL

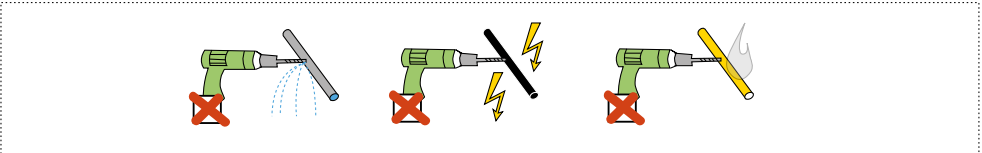
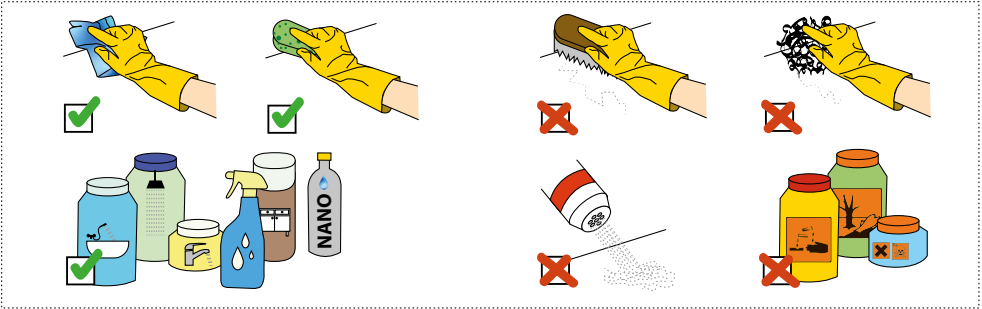
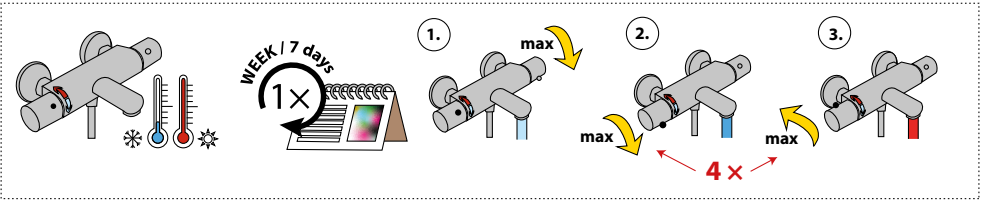
SATBSFU271/SATBSFU271C/SATBSFU285/SATBSFU285C/SATBSFU222/  
 SATBSFU222C/SATBSFU268/SATBSFU268C/SATBSFU210/SATBSFU210C/  
 SATBSFU215/SATBSFU215C/SATBSFU101/SATBSFU101C



	<b>P</b>	P bar	min 1,0	max 10,0	5
	<b>T</b>	C°	max 80°	65°	40°



SATBSFU271/SATBSFU271C/SATBSFU285/SATBSFU285C/SATBSFU222/  
 SATBSFU222C/SATBSFU268/SATBSFU268C/SATBSFU210/SATBSFU210C/  
 SATBSFU215/SATBSFU215C/SATBSFU101/SATBSFU101C



SAT® is registered trademark of



**Swiss  
Aqua  
Technologies**

**Swiss Aqua Technologies AG**  
Gewerbstrasse 9, 6330 Cham, Switzerland  
[www.swatec.ch](http://www.swatec.ch)  
Imported by SIKO KOUPELNY a.s.  
Made in P.R.C.