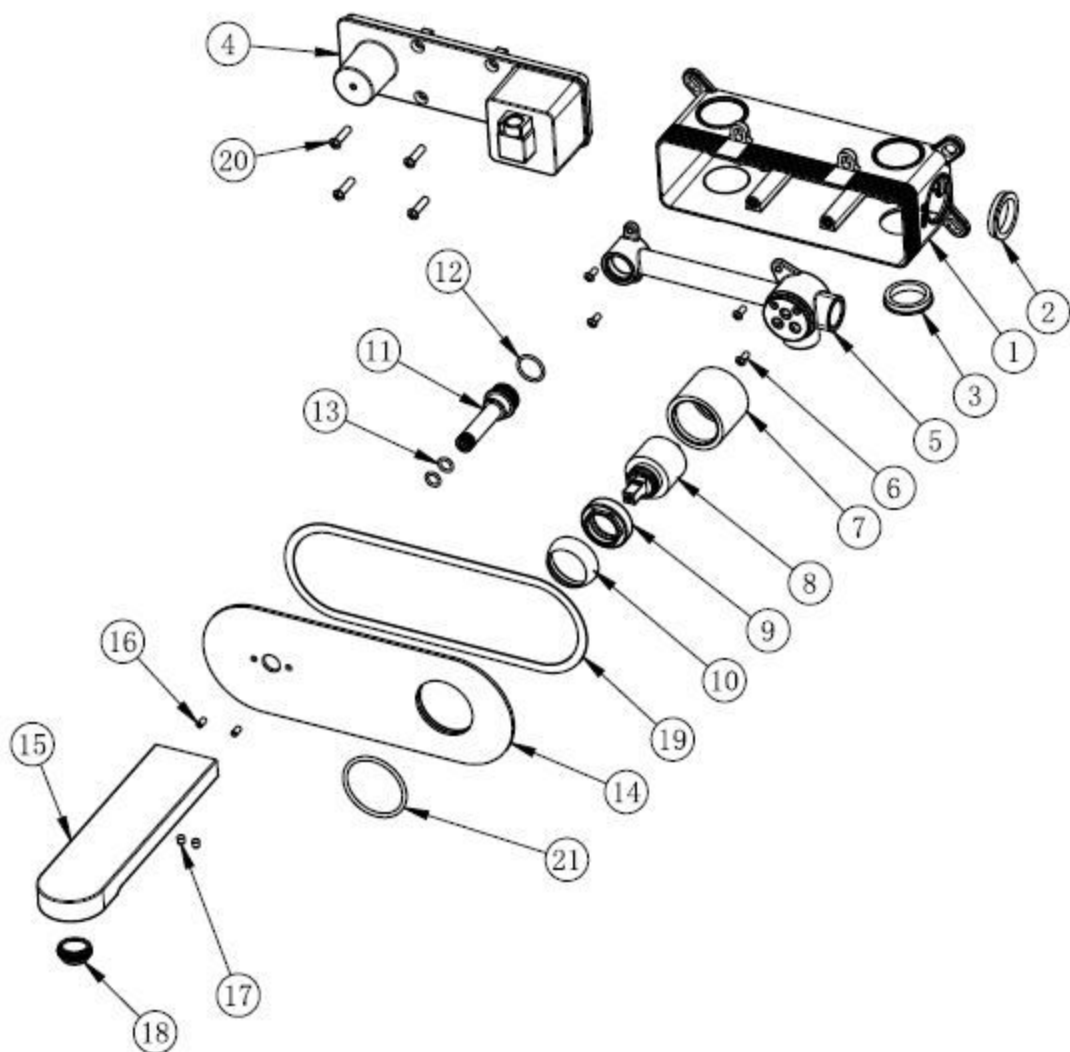


# SATBSFU101/SATBSFU101C



|            |             |
|------------|-------------|
| 1-6        | NDFU101BOX  |
| 7          | NDFU1017    |
| 8          | NDFU101KART |
| 9          | NDFU1019    |
| 10         | NDFU10110   |
| 11-13      | NDFU10111   |
| 14, 19, 21 | NDFU10114   |
| 15-18      | NDFU101RAM  |
| 18         | NDFU101PERL |

|            |             |
|------------|-------------|
| 1-6        | NDFU101BOX  |
| 7          | NDFU1017C   |
| 8          | NDFU101KART |
| 9          | NDFU1019    |
| 10         | NDFU10110C  |
| 11-13      | NDFU10111   |
| 14, 19, 21 | NDFU10114C  |
| 15-18      | NDFU101RAMC |
| 18         | NDFU101PERL |