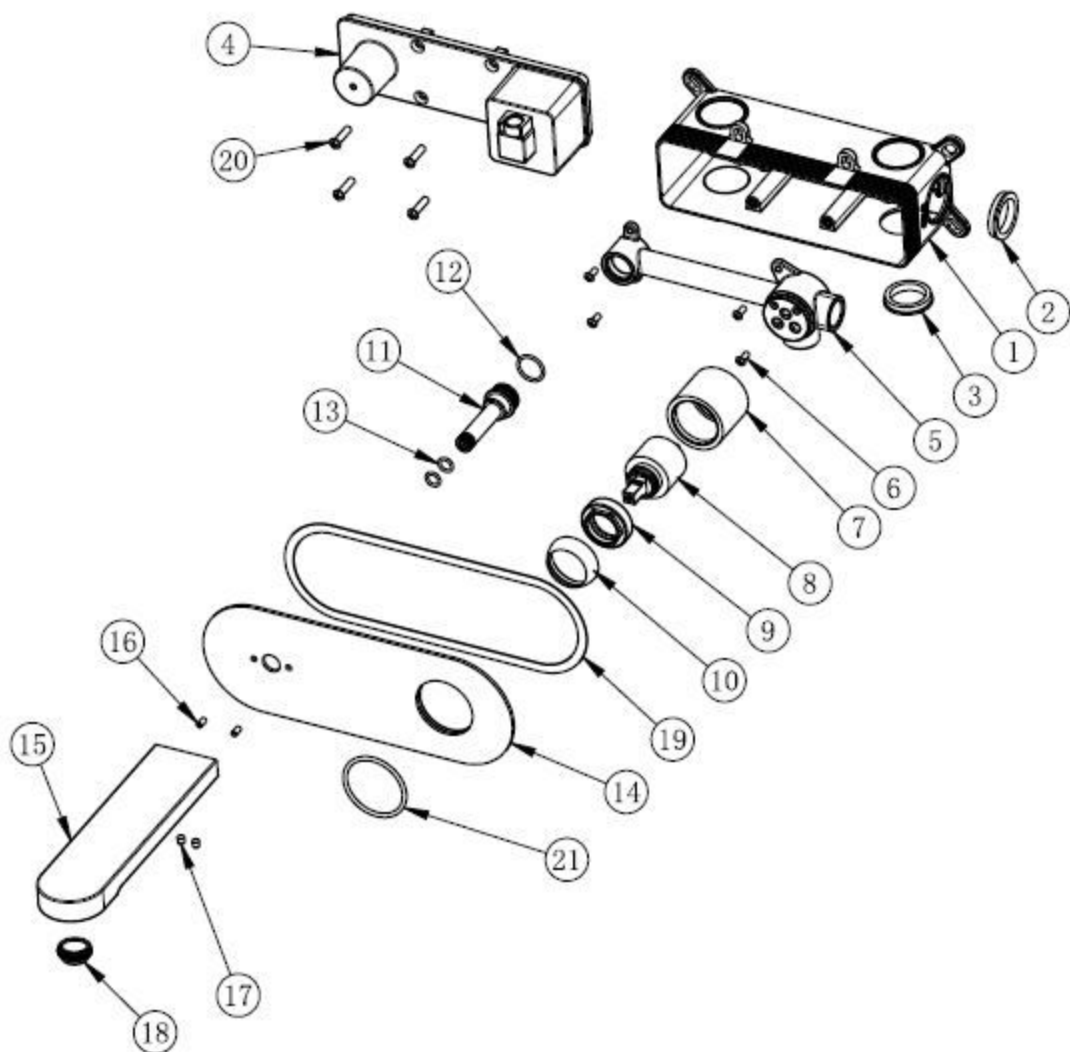


# SATBSFU101/SATBSFU101C



1-6	NDFU101BOX
7	NDFU1017
8	NDFU101KART
9	NDFU1019
10	NDFU10110
11-13	NDFU10111
14, 19, 21	NDFU10114
15-18	NDFU101RAM
18	NDFU101PERL

1-6	NDFU101BOX
7	NDFU1017C
8	NDFU101KART
9	NDFU1019
10	NDFU10110C
11-13	NDFU10111
14, 19, 21	NDFU10114C
15-18	NDFU101RAMC
18	NDFU101PERL